

TRAFFIC FIXED BOLLARD



RELIABLE, PRACTICAL AND COST-EFFECTIVE SOLUTION TO
PROVIDE 100% SECURITY OF YOUR TERRITORY

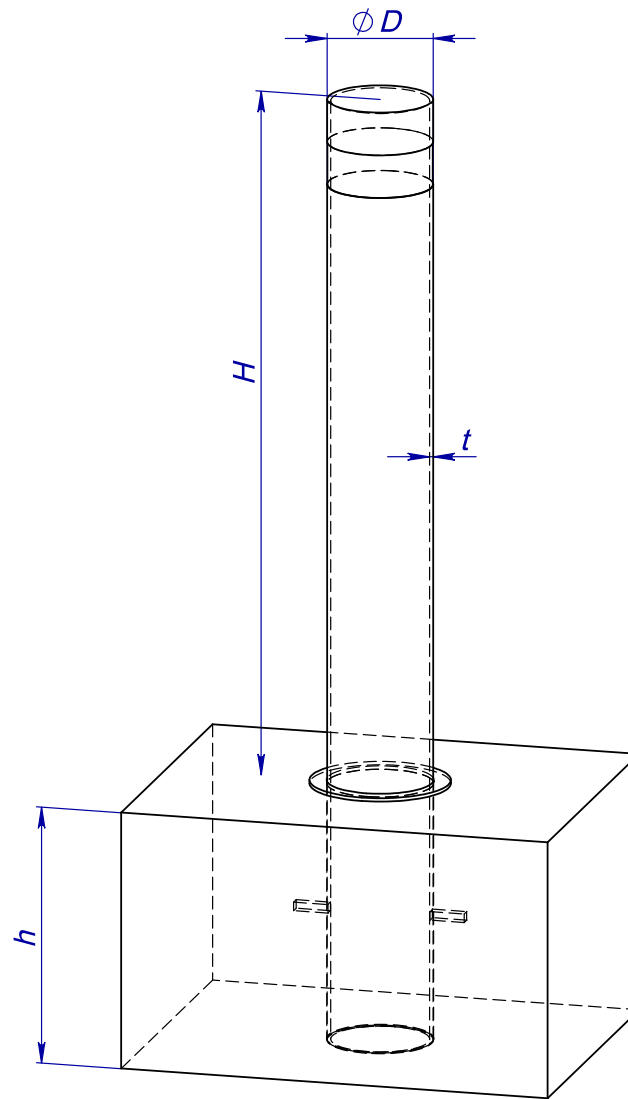
fixed and removable parking bollards are widely used as static barriers in order to provide vehicle access control and parking management of secured areas. Due to bollards design and wide variety of available models, this type of solution becomes a good addition to different urban architectural concepts.

Fixed parking bollards do not take anti terroristic function, but still useful to manage traffic.

bollards is a good idea in order to organize pedestrian zone or parking near malls, office buildings, public institutions, and private areas.

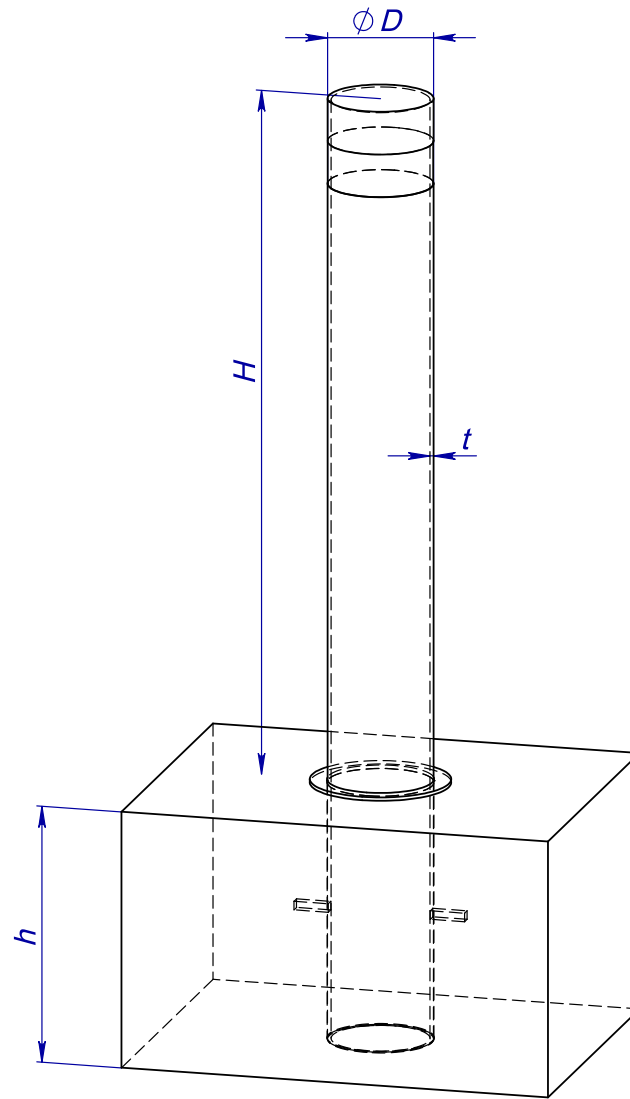
Installation areas

- Governmental Institutions
- Military Bases
- Nuclear Power Plants
- Production sites (Industrial Plants)
- Commercial areas
- Financial institutions
- Airport Premises
- Business (Office) Center
- Hotels
- Sport Complexes
- Recreation areas
- Urban areas
- Education Institutions



TECHNICAL SPECS:

Model	RB344-30	RB344-36	RB344-39	RB344-31	RB344-37	RB344-40
Cylinder diameter, mm (D)	114	220	273	114	220	273
Cylinder height, mm (H)	600			800		
Cylinder thickness, mm (t)	3	4		3	4	
Installation depth, mm (h)	300					
Cylinder materials	Brushed stainless steel AISI 304 Structural stainless steel AISI 316 Galvanized and powder coated tube (any RAL up on request)					



TECHNICAL SPECS:

Model	RB344-13	RB344-16	RB344-19	RB344-21
Cylinder diameter, mm (D)	324			
Cylinder height, mm (H)	600	800	1000	1200
Cylinder thickness, mm (t)	2			
Installation depth, mm (h)	300			
Cylinder materials	Brushed stainless steel AISI 304 Structural stainless steel AISI 316 Galvanized and powder coated tube (any RAL up on request)			