

TRIPOD TURNSTILE

CENTURION - M

Centurion-M is the most popular tripod style turnstile. The Centurion's small footprint ensures minimum space requirements while maintaining maximum efficiency and control. A fast response servo drive with rapid actuation eliminates queues at entrances. In case of emergency, the clever drop arm mechanism efficiently enables free passage within 3 seconds. The Electromechanical anti-panic function (for prevention and elimination of public panic in emergency situations within buildings) provides manual fail safe functionality.



MOST POPULAR MODEL: THOUSAND OF TURNSTILES

IN DIFFERENT GENERATIONS WERE SOLD ROUND THE WORLD



FREE ACCESS



CROSSING CAPACITY



PASSAGE WIDTH



PROTECTIVE LEVEL



DROP-ARM



MOTORIZED



BI-DIRECTIONAL

Advantages

- Bi-directional motorized tripod turnstile with drop-arm function
- Successful combination offering high quality at an affordable price
- Stable and Robust housing suitable for high traffic areas
- Can be integrated with any type of access control system
- Low power consumption
- Anti-panic function with automatic return to the starting position
- Whisper quiet, low noise operation
- Turnstile housing can be adapted for both indoor and outdoor installations
- Integrated RFID reader bracket under top glass
- Can be mounted on the Tiso Frame M mobile platform

Standard

- 2 location LED indicators
- Wired remote control
- Supply of backup battery power connection
- Anti-panic function with automatic reset

Options

- Any additional devices upon request (e.g. passage counter, RFID/Proximity/BioMetric readers, coin acceptor, push button, barcode and QR-code reader)
- Heating function for external installation (for cold climates)
- Electronic module that provides automatic anti-panic function upon power failure
- Tripod Twin modification is available
- Dummy housings can be mounted adjacent to tripod turnstile

* first figure is standard, all other available upon request.

Technical Specifications:

Unit width, mm	847
Unit length, mm	793
Unit height, mm	1000
Weight, kg (not more)	40
Mechanism	Motorized

Controlled by:



access control system;

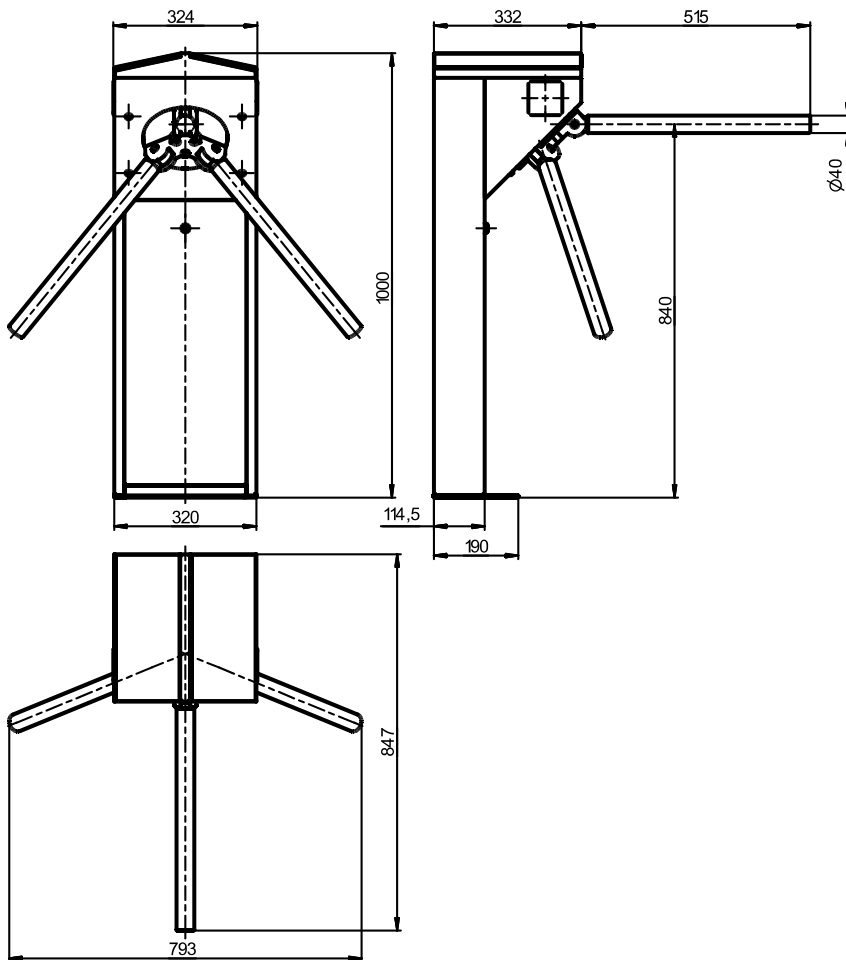


manual control

When power goes OFF both directions are free.

Electrical Specifications:

- Voltage:
 - from the AC (100-240)V, 50/60Hz;
 - from a DC source 12 V;
- Maximum power consumption 55W per pass;



Materials

Standard housing	Brushed SS AISI 304
Available housing	Brushed SS AISI 316 Polished SS AISI 304 Polished SS AISI 316 Powder coated RAL
Tripod hub	Cast aluminum with painted grey finishing

Install on areas:

- Governmental Institutions
- Military Bases
- Nuclear Power Plants
- Production sites (Industrial Plants)
- Commercial areas
- Financial institutions
- Airport Premises
- Business (Office) Centers
- Hotels
- Sport Complexes
- Recreation areas
- Urban areas
- Education Institutions
- others

