

# Castle



CASTLE is a perfect combination of simplicity, functionality and reliability. Extensive housing allows any type of control system to be used access, also with coin and card acceptors. In addition to the standard functions, the gate has additional mechanical lock at maximum secures the passage.



## Tripod turnstile

Type of tripod turnstile, where the obstruction is a tripod bar



## Reasonable price

Budget model of the turnstile, which performs the basic functions

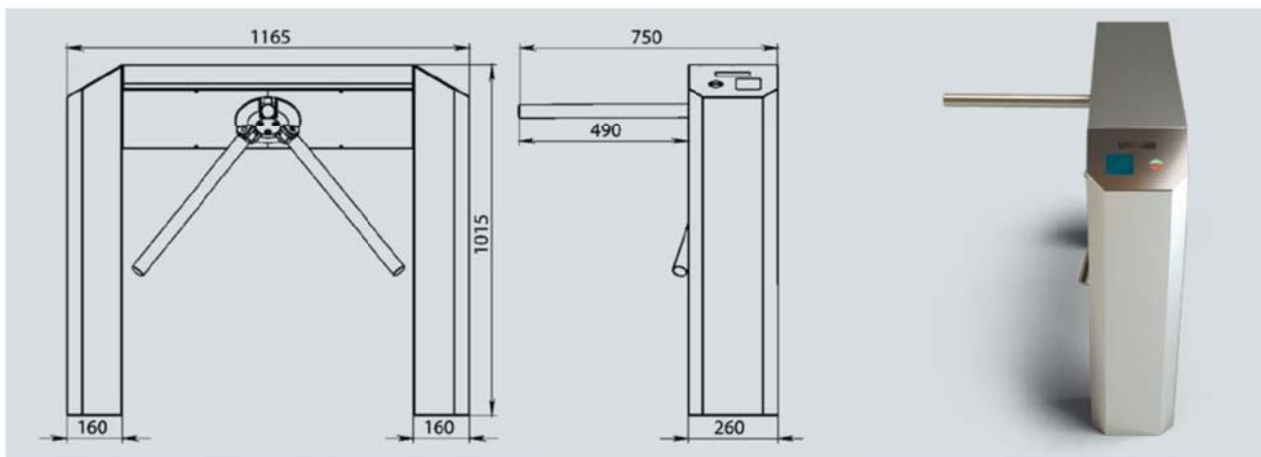


## Anti-panic

Feature that allows opening or locking the turnstile for passage in case of emergency

## Functional features:

- ▣ The design of this model provides quick and convenient access to the mechanism for service.
- ▣ Anti-panic function, remotely controlled (allows you to fully open access turnstile in case of emergency)
- ▣ Possibility to install RFID-reader for external ACS.
- ▣ This model can be equipped with electronically-driven mechanism for smooth and noiseless Passage or with rotating blocking mechanism that allows using the turnstile outdoors at all weather conditions



### Execution options:

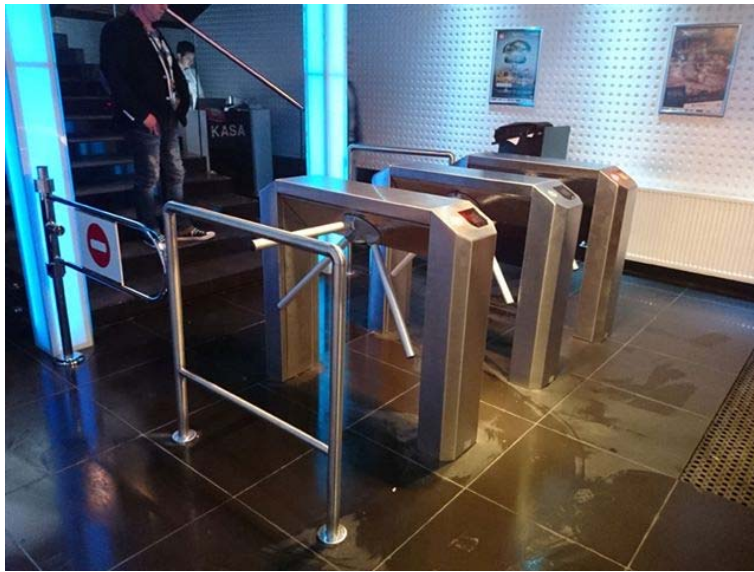
Casing:	polished stainless steel
	brushed stainless steel
Tripod bars:	aluminium
	polished stainless steel
Gear:	electric-drive
	rotating-blocking

### Overall dimensions, mm):

Case height	1015
Case length	1165
Case width	260
Tripod bar	500
Passage width	550-600
Weight	41 kg

### Specifications:

Supply voltage:	24 B ± 10 %
Power consumption:	max 30 Bt
Capacity (depending on the type of mechanism)	rotary-blocking - from 15 people / min electric drive - from 30 people / min
Working temperatures:	— 30...+45°C
Dust and water Protection rating:	IP 42



creating solutions that give new opportunities