

FULL-HEIGHT TURNSTILE SESAME TWIN - L X type rotor

The primary purpose is to provide complete barring of an area. It permits single or dual direction control of pedestrian access for enterprises, administrative facilities, banks and other sites as well as for security of protected areas from unauthorized access via a controlled physical barrier. The turnstile provides pedestrian access in the desired direction via actuation of signals from RFID card readers, keyboards, access control system (ACS), and manual control panels. Double access design increases crossing capacity of the turnstile.



MODEL OF THE FULL-HEIGHT TURNSTILE SERIES GUARANTEES FULL PROTECTION OF THE TERRITORY



Advantages

- Motorized
- Bi-directional
- Variety of metal and metal treatment types
- Three arms (angle between bars 120°) and four arms (angle between bars 90°) modifications
- Integration with any type of access control and ID systems
- Low power consumption
- Whisper quiet, low noise operation
- Possibility of customization
- Wide range of accessories
- Complete supply set as a standard
- Fail-safe (automatic opening in both direction when power goes off)

Standard

- 2 types of LED indication
- Wired remote control
- Fail-safe

Options

- Integration with passes counter/RFID device/coin acceptor push button/fingerprint/barcode/QR-code reader etc.)
 - Remote radio controller
 - Heating function for external installation (for cold climates)
- Backup battery 12V, 17 A-h
- Protective canopy or roof

* first figure is for indoor installation, second figure is for outdoor installation.
Protection level could be up to IP65 upon request.



CartPoland Maciej Twardowski

Wólka Mińska a ul. Olszowa 5, 05 - 300 Mińsk Mazowiecki

(ang.) office@cartpoland, Tel.: +48-795-183-316 | (ros.) inka@cartpoland.pl, Tel.: +48 795 15 83 20
www.bramkiobrotowe.com | www.bramkiobrotowe.eu | www.cartpoland.pl



Technical Specifications:

Unit width, mm	2060
Unit length, mm	1341
Unit height, mm	2300
Weight, kg (not more)	600
Mechanism	Servo-drive (Motorized)

Controlled by:

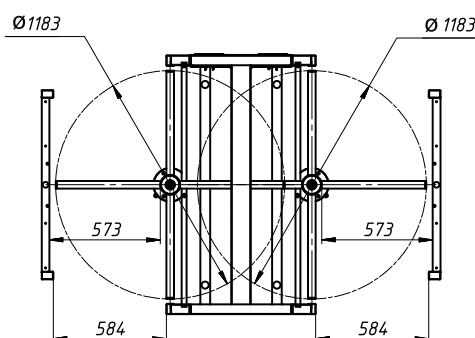
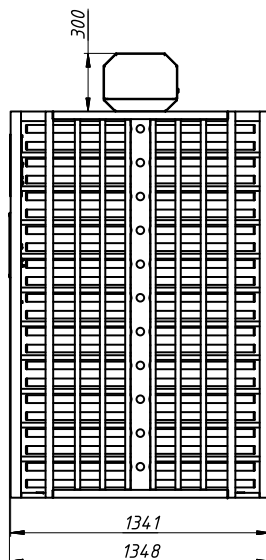
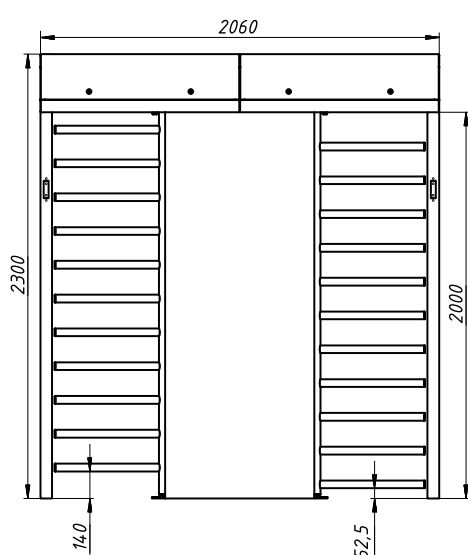


access control system;



manual control

When power goes OFF both directions are open.



Electrical Specifications:

- Voltage:
 - from the AC 230V, 50/60Hz;
 - from a DC source 12 V;
- Maximum power consumption 55W per pass;

Materials

Standard housing	Brushed SS AISI 304
Available housing	Brushed SS AISI 316 Polished SS AISI 304 Polished SS AISI 316 Powder coated RAL

Installation areas:

- Sport Complexes
- Governmental Institutions
- Military Bases
- Nuclear Power Plants
- Production sites (Industrial Plants)
- Commercial areas
- Financial institutions
- Airport Premises
- Business (Office) Centers
- Hotels
- Recreation areas
- Urban areas
- Education Institutions
- others

