

# ROAD BLOCKER

## CITY-LIGHT CYCLOPE RB319

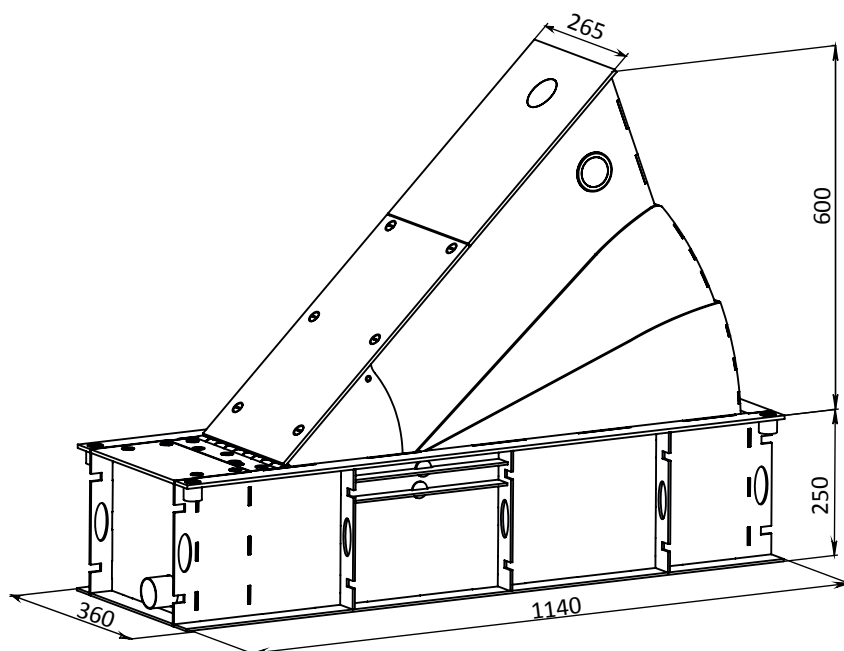


*RELIABLE, PRACTICAL AND COST-EFFECTIVE SOLUTION TO  
PROVIDE 100% SECURITY OF YOUR TERRITORY*

City-light Cyclope designated for providing pedestrian friendly vehicle access control to protected perimeter. Comparing to bollards, Cyclope road blocker requires shallow mounting installation depth. This motorized platform has hydraulic drive and has been engineered to keep high intensity operation mode. Wide range of optional configurations enables it to be widely applicable security solution for variety of projects.

### **Installation areas**

- Governmental Institutions
- Military Bases
- Nuclear Power Plants
- Production sites (Industrial Plants)
- Commercial areas
- Financial institutions
- Airport Premises
- Business (Office) Center
- Hotels
- Sport Complexes
- Recreation areas
- Urban areas
- Education Institutions



#### TECHNICAL SPECS:

Model	RB319-01
Installation type	Shallow mounted
Drive	Hydraulic (external/internal)
Blocking width, mm	265
Rising height, mm	600
Installation depth, mm	250
Foundation case dimensions , mm	1140x360x250
Rising speed, sec	~5
Lowering speed, sec	~4
Axle load, t	15
Penetration resistance, kJ	60
Protection level	IP 67 for Road blocker IP 55 for control box
Materials	- Structural steel C22(powder coated) - Stainless steel
Operating temperature*, °C	-30/40
Power supply	1 phase 230 V, 50/60 Hz
Power consumption, kW	
- internal hydraulic unit	0,75
- external hydraulic unit	0,33

\*for temperatures lower than -10 °c use the heating resistance (optionally)