

SWING GATES

GATE-TS

The primary purpose of the Servo-Type Swing Gate is single or dual direction control of pedestrian access for other objects. The initial position locking gear underlies the operation of the Servo-Type Swing Gate. Due to its unique shape and variety of models, it can suit any interior.



ELEGANCE, LIGHTNESS AND SIMPLICITY MAKE THE SERVO-TYPE SWING GATE INDISPENSABLE AS A PART OF ACCESS CONTROL SYSTEM

 650/900*
mm
PASSAGE WIDTH

 IP 41-65**
PROTECTIVE LEVEL


PASSAGE FOR DISABLED


MOTORIZED


BI-DIRECTIONAL

Advantages

- Solution for disabled and trolley access
- Appropriate addition to other CartPoland turnstiles
- Successful combination of affordable price and high quality
- Steadfast housing suitable for high traffic areas
- Can be integrated with any type of access control systems
- Low power consumption
- Left hand, right hand and double-sided opening are available
- Low noise system operation
- Gate housing could be adapted for both indoor and outdoor installations
- Can be mounted on a mobile platform (CartPoland Frame-M)

Standard

- Wired remote control panel

Options

- Connection to additional external stand with integrated passes counter/RFID device/coin acceptor push button/fingerprint/barcode/QR-code reader etc.)
- Radio controller
- Heating function for external installation
- Automatic opening when power goes off
- Passage width may vary upon client's request

* other width available optionally.

** first figure is standard, all other available upon request.



CartPoland, Maciej Twardowski
Wólka Mińska ul. Olszowa 5,
05 - 300 Mińsk Mazowiecki

maciej@cartpoland.pl, Tel.: +48 606 773 276
inka@cartpoland.pl, Tel.: +48 795 15 83 20
www.cartpoland.pl | bramkiobrotowe.eu

Technical Specifications:

Width, mm	837-1087
Diameter, mm	204
Height, mm	1000
Weight, kg (not more)	43
Mechanism	Motorized

Controlled by:



access control system;

manual control

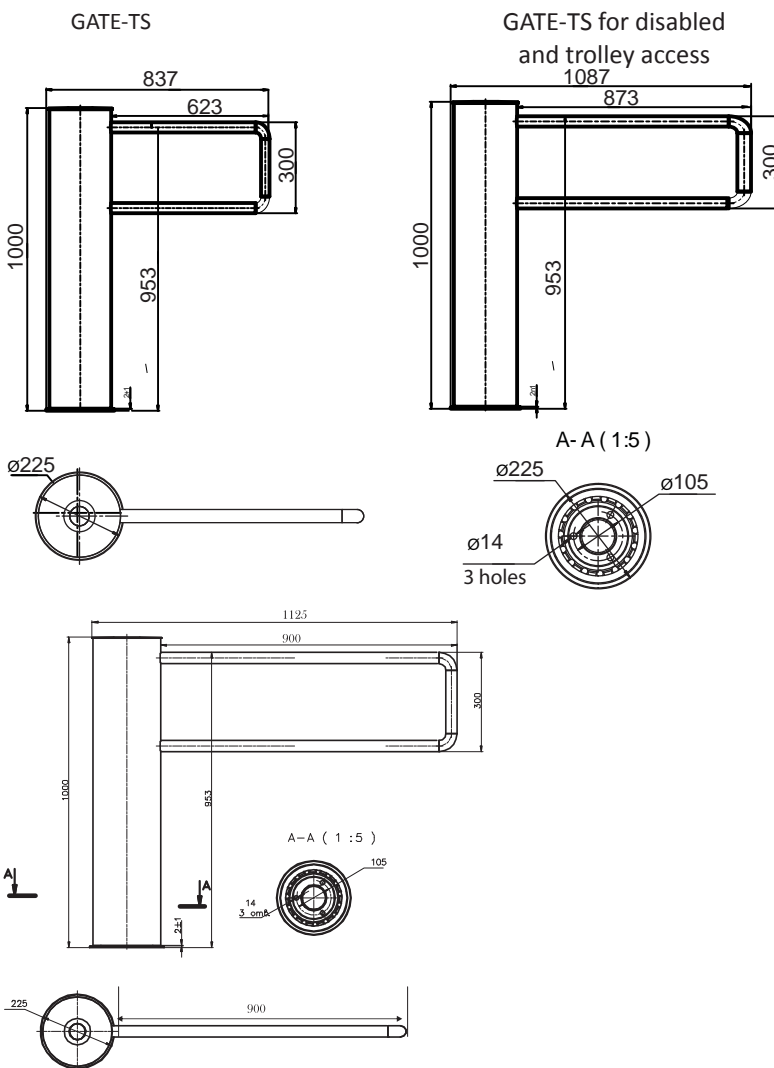
When power goes OFF both directions are free.

Electrical Specifications:

- Voltage:
 - from the AC (100-240)V, 50/60Hz;
 - from a DC source 12 V;
- Maximum power consumption 55W per pass;

Materials

Standard housing	Brushed SS AISI 304
Available housing	Brushed SS AISI 316 Polished SS AISI 304 Polished SS AISI 316 Powder coated RAL



Installation areas:

- Governmental Institutions
- Military Bases
- Nuclear Power Plants
- Production sites (Industrial Plants)
- Commercial areas
- Financial institutions
- Airport Premises
- Business (Office) Centers
- Hotels
- Sport Complexes
- Recreation areas
- Urban areas
- Education Institutions
- others

